

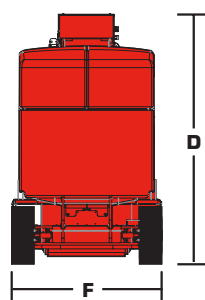
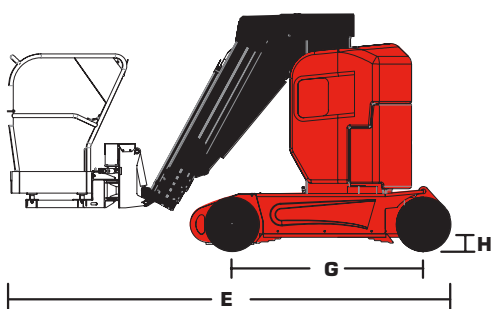
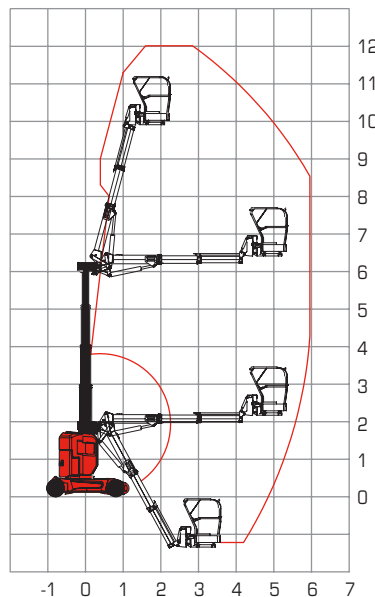
MGB-32J VERTICAL LIFT electric, self-propelled

Standard Features

- 345° discontinuous rotation
- Jib swing: -60° / +75°
- Platform swing: left/right 45°
- Non-marking tyres
- Tilt alarm
- Lifting eyes (4)
- Hour meter
- Proportional control
- Horn
- Fault diagnosis system
- Automatic brake system
- Explosion-proof oil tube
- Manual brake release
- Overload sensor
- Platform foot switch
- Emergency lowering system

Optional Features

- Handheld fault diagnosis
- Airline to platform
- Platform working light
- AC power to platform
- Tool bracket
- All motion alarm
- Top limit protection auto-stop device
- Maintenance free battery
- Fibreglass platform



SPECIFICATION	
Model	MGB-32J
Max. Working Height H1	12.00m
Max. Platform Height H2	10.00m
Lifting Capacity	200kg
Max. Outreach	6.00m
Max. Up and Over Height	5.90m
Platform Size (LxWxH)	1.10 x 0.80 x 1.10m
Stowed Size (ExFxH)	4.03 x 1.20 x 1.99m
Wheelbase G	1.60m
Ground Clearance H	0.12m
Ground Clearance - deployed pothole	0.74m
Turning Radius - Inside	0.75m
Turning Radius - Outside	2.60m
Driving Speed - Stowed	6.0km/h
Turntable Rotation	345°
Jib Swing	-60° / +75°
Platform Swing	left/right 45°
Gradeability	25%
Max. Vertical Tilt	2.5°
Tyre Size	457 x 178 x 308mm
Weight	4770kg