

VARIABLE MESSAGE SIGNS



MOBILE



TABLET



COMPUTER

Our MacGen Traffic Variable Message Signs (VMS) are solar powered and capable of displaying any range of text message, graphic or animation in amber or 5 colour mode.

The versatile design and simplistic management software makes our VMS signs both easy to transport, maintain and manage.

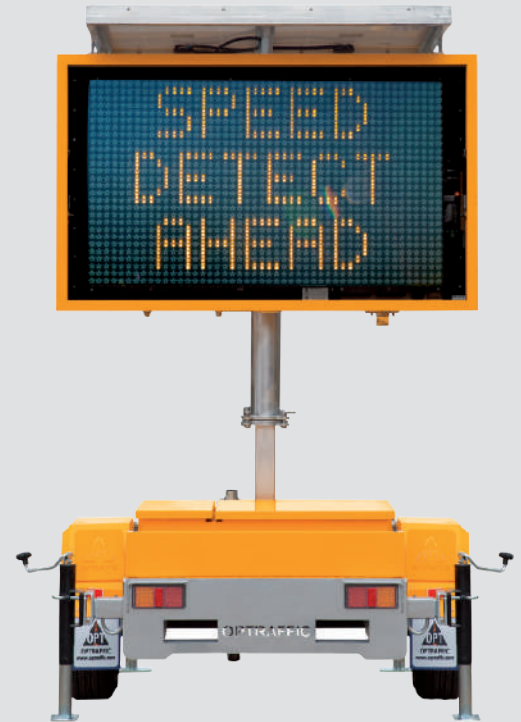
The 200 Series, supplied by MacGen Traffic is the perfect choice for urban roads or locations where space is limited.

MODEL
VMS-200-3

MODEL
VMS-200-3

SPECIFICATION

- Size: 1620mm x 990mm x 140mm
- Pitch: 30mm (48 x 28, Ø5)
- OPTRAFFIC Web System (fully remote control)
- OPTRAFFIC 3G/4G Controller
- Colour: 5 Colour (Amber, Red, Blue, Green, White)
- Auto-dimming Photocells & Manual Brightness Control
- SMS Alert System
- GPS Location
- 2 x 150W Solar Panels
- 2 x 12V, 120AH Gel Batteries
- Power: 12V DC Solar System, 35W (Image of 80)
- Anti-Vandal Battery Box
- External 110/220/240V AC Battery Charger
- Hot Galvanised Steel, Anti-UV Surface Powder Coating
- Retractable Galvanised Draw Bar
- Hydraulic Mast Lifting System
- Working Hours Technical Support 24/7
- Waterproof Rating: IP54
- Safety Chains
- STOP/Tail Light Combo
- License Plate Light
- Wiring & Switch



OPTIONS



**TABLET
(PC)**



**SPEED
RADAR**



**SOLAR
TILTING**



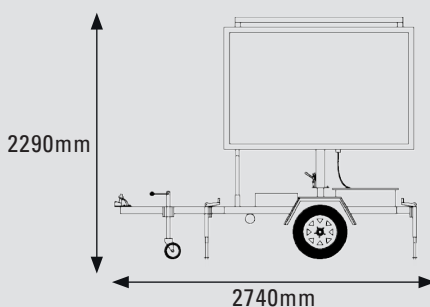
**MAST
BRAKE**



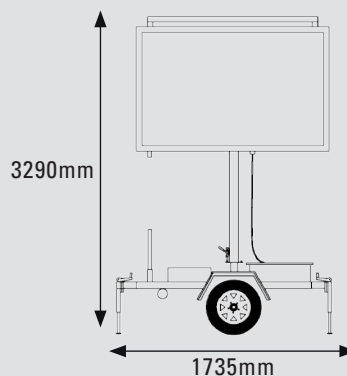
**HIGH-GAIN
AERIAL**

SIZES

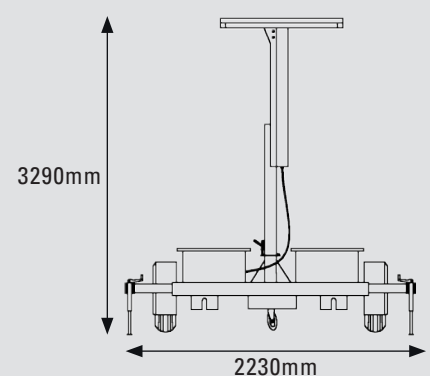
TRAVEL POSITION



DISPLAY POSITION



FULLY DEPLOYED



MODEL VMS-200-3

DISPLAY SYSTEM

- Board Size: 53.9" x 31.5" (1370mm x 800mm)
- Board Weight: 92kg
- Enclosure: Aluminium Cabinet
- Finish: Anti-UV Yellow Powder Coating
- LED Colour: 5 Colour or Amber Colour
- LED Pixels: 48 x 28
- LED Pitch: 30mm
- Access: Front Access
- Viewing Angle: 30°, Board 360 Degree Rotatable
- Front Window: Anti-flare PC Material
- Dimming: Manual and Automatic
- Anti-Theft Design: Anti-theft Lockable Board
- Waterproof Rate: IP54

CONTROLLER

- Controller: All in one Controller
- Location: Inside Display Board
- Power: Micro Power Consumption
- Software: OPTRAFFIC WEB SYSTEM
- Functions:
 - 3G /4G Connection, Remote Control
 - Program Preset, Schedule
 - Real-time Communications
 - Real-time Monitor
 - GPS Tracking on Google Map
 - Auto & Manual Brightness Control
 - Radar Function (If applicable)
- Protection: Fuses and Reverse-polarity Protection

TRAILER SYSTEM

- Length (Overall): 68.3"(1735mm) ~ 107.9"(2740mm)
- Width (Overall): 59.1"(1500mm) ~ 87.8"(2230mm)
- Height (Overall): 90.2"(2290mm) ~129.5"(3290mm)
- Weight: 598kg
- Material:
 - 2.76" (70mm) Square Steel Tube
 - 1/8" (3.2mm) Tube Thickness
- Finish: Hot-galvanised for Anti-corrosion 20 years
- Lifting System: Hydraulic Lifting System
- Tow Hitch: 50mm (2") Tow Hitch with Safety Chain
- Trailer Structure: Double-layer Structure with Compact Design
- Anti-Theft Design:
 - Anti-theft Control & Battery Boxes
 - Anti-theft Tyres Protection
- Safety Design: Tail lights, Contour Lights and Reflectors

POWER SYSTEM

- Solar Panel: 2 x 150W
- Battery: 2 x 120AH Maintenance-free Batteries
- Working Voltage: 12 Volts DC
- Battery Protection:
 - Low Voltage Disconnect at 11.4 Volts
 - High Voltage Disconnect at 15 Volts
- Battery Status: Battery Voltage and Percentage Indicator
- Solar Charge: Solar Charging Controller 30A
- Charging Socket: 10A

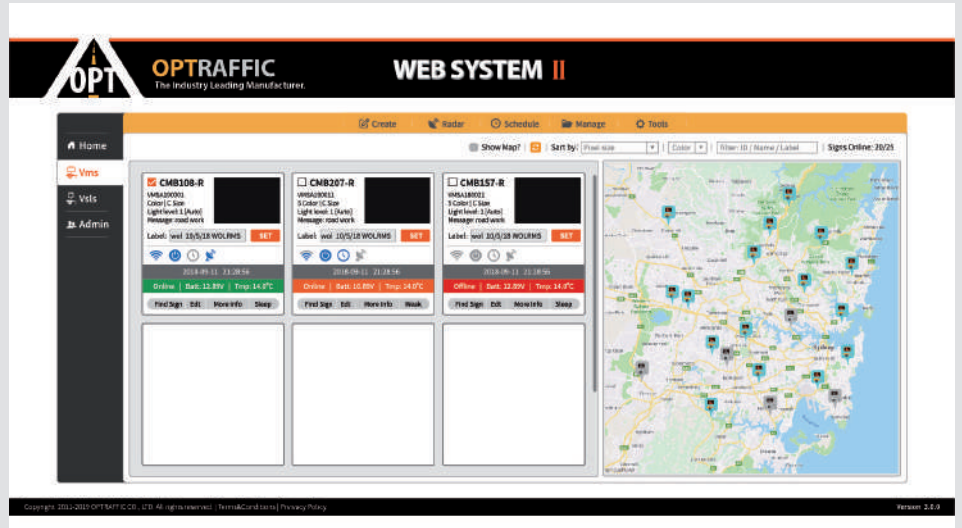
OPTIONAL

- Radar: Speed Detecting Radar
- Tablet: Tablet with on-site Control Software
- Solar Tilt: Solar Panel Tilting System

SOFTWARE

With OPTRAFFIC Web-System, you can find all the device locations, design and create any colourful message with graphic symbols, create text or graphics combined, make multiple message screens, create flashing animations, and/or detect the vehicle speed with optional radar installed.

MODEL VMS-200-3



ON THE ROAD

OPTRAFFIC VMS are designed for one person set-up, easy towing and ultra-compact for outdoor use. The highly integrated system incorporates micro-power consumption technologies and ensures our signs work 24/7 throughout the year.

